

# CPDLPG-AI-1

## Connections for Dymco Equipment / Connectors

### Water Temp Sensor:

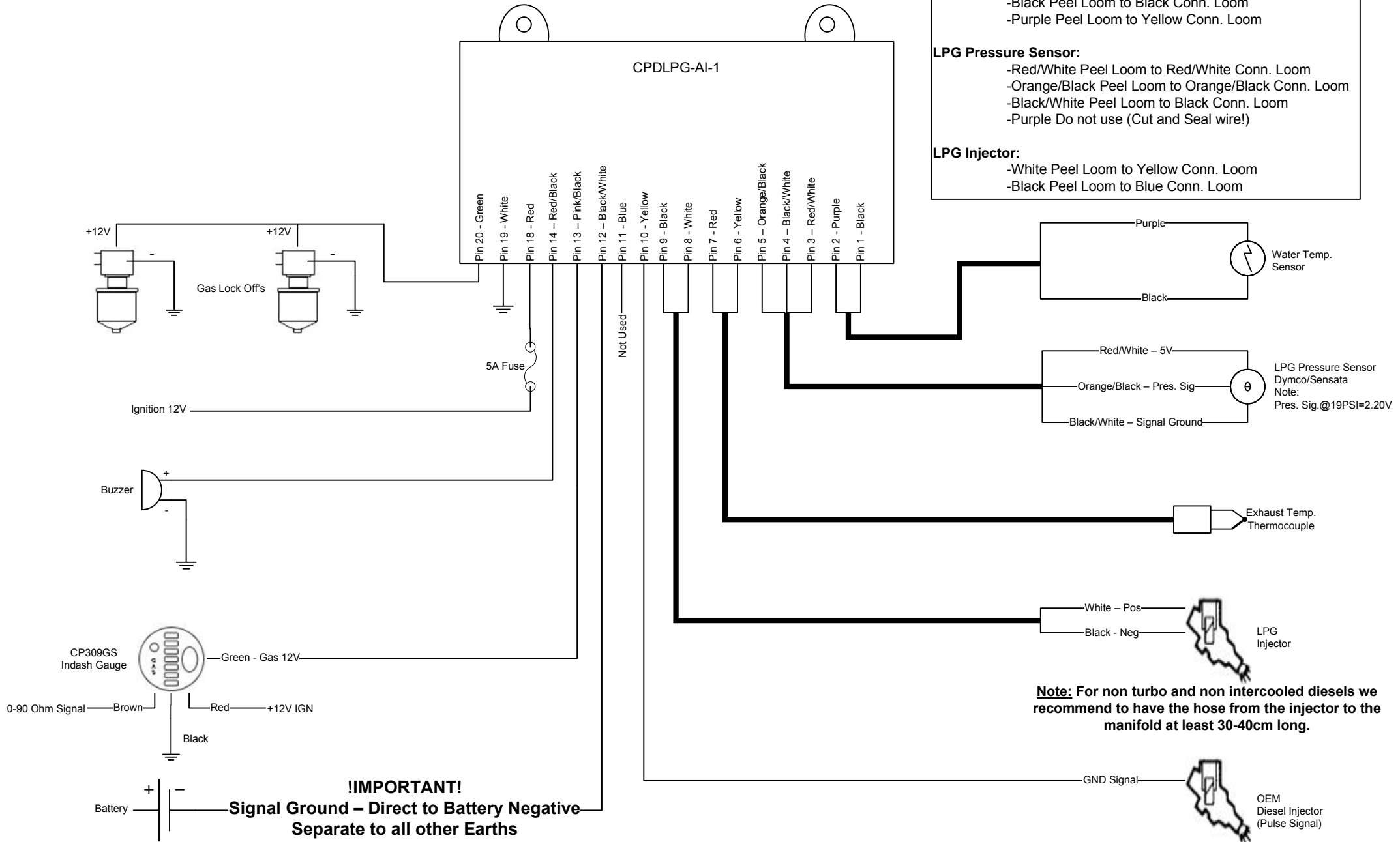
- Black Peel Loom to Black Conn. Loom
- Purple Peel Loom to Yellow Conn. Loom

### LPG Pressure Sensor:

- Red/White Peel Loom to Red/White Conn. Loom
- Orange/Black Peel Loom to Orange/Black Conn. Loom
- Black/White Peel Loom to Black Conn. Loom
- Purple Do not use (Cut and Seal wire!)

### LPG Injector:

- White Peel Loom to Yellow Conn. Loom
- Black Peel Loom to Blue Conn. Loom



**Note:** For non turbo and non intercooled diesels we recommend to have the hose from the injector to the manifold at least 30-40cm long.